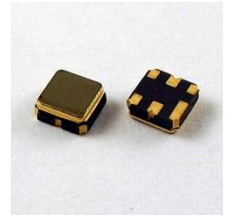


- Low-loss RF SAW filter
- Low amplitude ripple
- No matching network required for operation at 50Ω
- Ceramic package for Surface Mounted Technology (SMT)
- Lead-free production and RoHS compliant

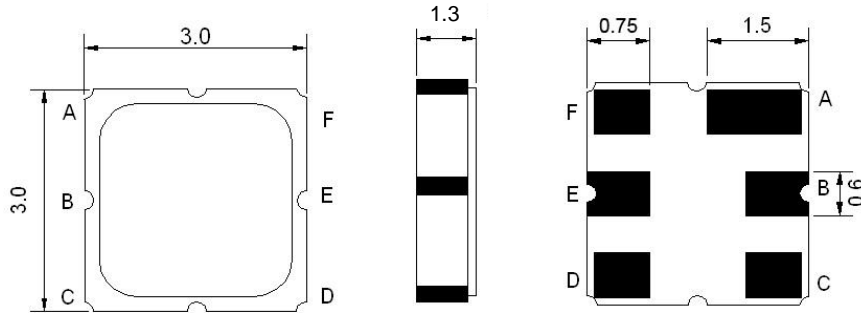


Electrical Characteristics

MAXIMUM RATING				
PARAMETERS DESCRIPTION	UNIT	MINIMUM	TYPICAL	MAXIMUM
Operating Temperature Range	°C	-40	-	+85
Storage Temperature Range	°C	-40	-	+85
Maximum DC Voltage	V _{DC}	-	-	5
Maximum ESD Voltage	V _{ESD}	-	-	150
Maximum Input Power Level	dBm	-	-	10
Source Impedance	Ω	-	50	-
Load Impedance	Ω	-	50	-
Length x Width	mm ²	-	3.0 x 3.0	-
Height	mm	-	-	1.3

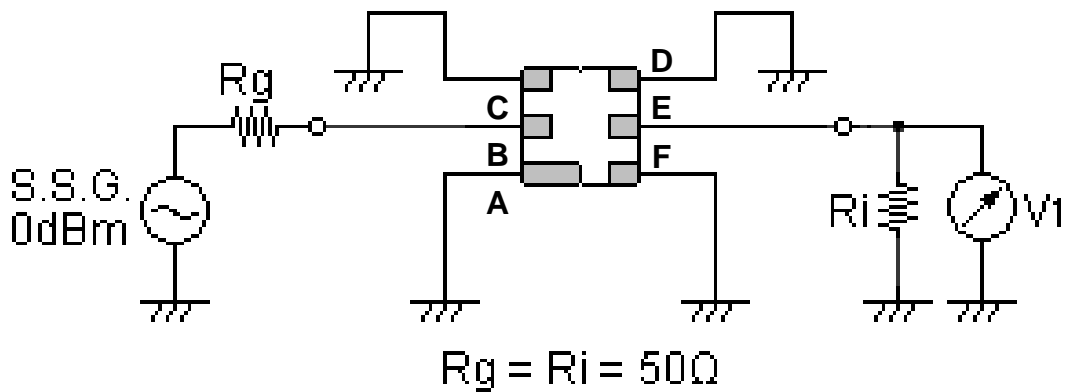
ELECTRICAL SPECIFICATION				
PARAMETERS DESCRIPTION	UNIT	MINIMUM	TYPICAL	MAXIMUM
Center Frequency (Fo)	MHz	-	1740	-
Insertion Loss @ 1710.00 ~ 1755.00MHz	dB		1.8	3.0
Insertion Loss @ 1755.00 ~ 1770.00MHz	dB		1.8	2.3
Amplitude Ripple (p-p) @ 1710.00 ~ 1770.00MHz	dB		0.6	2.1
Absolute Attenuation:				
DC~ 1678.00 MHz	dB	20	25	
1802.00 ~ 1805.00 MHz	dB	10	40	
1805.00 ~ 1880.00 MHz	dB	20	32	
1880.00 ~ 3200.00 MHz	dB	20	30	
3200.00 ~ 5200.00 MHz	dB	4	7	
Input / Output VSWR @ 1710.00 ~ 1770.00MHz			1.6:1	2.2:1

Package Dimensions



Pin Description	
B	Input
E	Output
A, C, D, F	Ground

Testing Environment



Frequency Characteristics

Frequency Response

